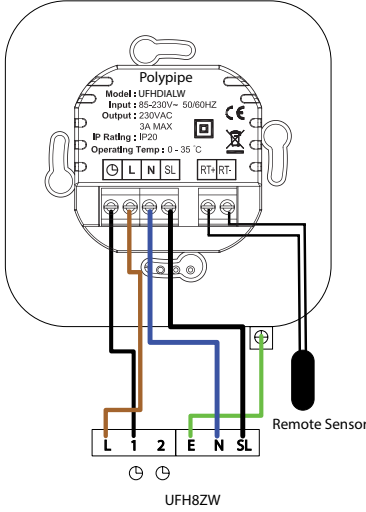




Wiring Diagram



Want More Information?

Call our telephone support team on: 01709 772200

Or view technical specifications directly on our website: www.polypipeufh.com

Polypipe Building Products
Broomhouse Lane
Edlington
Doncaster
DN12 1ES

Rev 1.0

Polypipe

Underfloor Heating



Model: UFHDIALW



1	1 °C Switching	Switch 1 & 2 OFF
2	2 °C Switching	Switch 1 ON and Switch 2 OFF
3	3 °C Switching	Switch 1 OFF and Switch 2 ON

The UFHDIALW offers 1, 2 and 3°C switching differential.

With a 1°C switching differential the heating will switch on 1°C below the set temperature and will turn on when the set temperature is reached.

A 2° differential will turn the heating on 2°C below the set temperature.

3°C will switch the heating on 3°C below the set temperature.

To set the differential, you should set the DIP switches according to the table below.

The DIP switch can be accessed from the back of the thermostat (shown below).

Switching Differential



Thimble Sensor (not included)

The UFHDIALW provides the option to work with a remote temperature sensor. When a compatible remote sensor is connected, the thermostat will automatically switch from using its internal sensor to use the remote sensor instead. This function is ideal for controlling bathrooms or when the thermostat needs to be installed in a different area of the building to that being measured and controlled.

Remote Sensor



The UFHDIALW is a flush mounted set-back thermostat and is ideal for those who want a simple but energy efficient temperature control system. The UFHDIALW features a set-back function. This function automatically reduces the set temperature by 4°C when no time clock signal is detected.

The thermostat has been designed to work in conjunction with a UFH8ZW wiring centre and UFHTIME4W Programmer, but can also be used as a standalone dial thermostat.

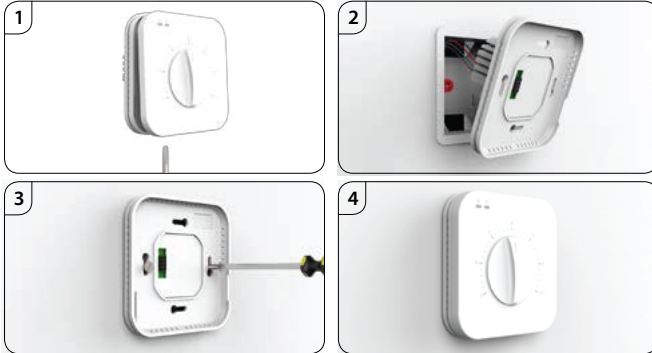
Introduction



Installation

IN ORDER TO AVOID ANY RISK OF ELECTRIC SHOCK, TURN OFF THE POWER TO THE HEATING SYSTEM BEFORE COMMENCING INSTALLATION.

1. Using a small screwdriver, slightly loosen the screw from the bottom face of the thermostat. You can then carefully separate the front half from the back plate.
2. Terminate the thermostat as shown in the wiring diagram.
3. Screw the back plate securely back onto the wall.
4. Clip the front of the thermostat onto the back plate, securing it in place with the retaining screw.



Setting The Temperature

To change the set point, rotate the dial until it points to the desired temperature.



0 Off Mode

Placing the thermostat switch into position 0 will turn OFF the heating completely.




1 Constant Mode

The time clock can be bypassed by placing the switch into position 1. In this position, the thermostat will ignore the time clock input and will continuously control to the set temperature. This feature can be used to extend the heating period without the need to adjust the time clock program.



Set-back Operation

The UFHDIALW offers a set-back function that automatically reduces the set temperature by 4°C.

To make use of the set-back function, a 230v time clock is also required on the system. Place the thermostat slide switch into the time clock position..... 

When the thermostat receives a 230v signal from the time clock it will control the temperature according to the dial setting.

When no 230v signal is received from the time clock, the thermostat will operate in set back mode and automatically reducing the set temperature by 4°C




LED LED Indication

Right LED

The right LED is the power LED. It is a two colour LED and is used to indicate the time clock / set-back status.

Left LED

The left LED indicates the heating status. It illuminates  when the thermostat is calling for heat.



Normal Mode



Set-back Mode



Heat On