

Polypipe

Underfloor Heating



Model: **UFH8ZW**



UFH8ZW– Installation Manual

Description

The is an 8 Zone wiring centre for use with Polypipe 230v thermostats.

The UFH8ZW can be used to control any actuator or valve which requires a 230v AC signal to open. For mid position valves and those requiring a closing signal, a changeover relay is required. At the same time the UFH8ZW offers the ability to operate a boiler or other heat source through a volt free output.

Additional outputs designed for use with underfloor heating systems are also included as standard. These are the pump and valve outputs which would normally operate a manifold pump or a manifold valve.

Zone 8 can be used as an isolated radiator zone by using the UFH/RAD switch.

If the switch is set to **RAD**;

When zone 8 calls for heat this will provide an output to a radiator zone valve and the boiler, but **WILL NOT** enable the underfloor heating pump/valve output.

If the switch is set to **UFH**;

When Zone 8 calls for heat, this will act as an underfloor heating zone, by enabling the actuator, boiler and pump/valve outputs.

Any output which is not needed can be ignored.



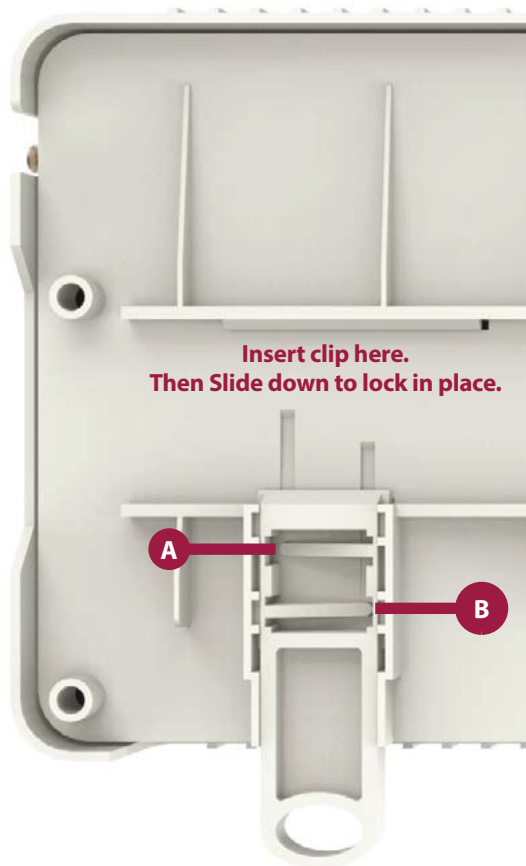
Installation

The UFH8ZW can be mounted directly to a wall using four screws or alternatively, the unit can be DIN rail mounted.

When DIN Rail mounting, you first need to insert the two clips provided on the back of the UFH8ZW, as shown in the image;

- On the back of the UFH8ZW, position the clip in the middle and slide down.
- Points A and B locate in the corresponding holes and lock into place.
- Locate the UFH8ZW onto the DIN rail from the top.
- Pull the clip down and push the bottom of the UFH8ZW onto the DIN rail.
- Releasing the clip will lock the UFH8ZW in place on the DIN rail.

To remove the UFH8ZW, pull both clips down and remove from the DIN rail.





UFH8ZW Wiring

Connections

Mains Supply

Power supply into the UFH8ZW which should be fused at 5 amps these connections are marked

L = live or phase 230v AC 50/60Hz

N = Neutral

E = Earth

Heat Enable

This is the main call for heat for the system, there are 3 connections;

LS = Live Supply

E = Earth

LR = Live Return

Electrically this is a volt free switch, whatever supply is placed on the LS connection, is fed to the LR connection when there is a call for heat.

Time Clock

L = Live supply

E = Earth

N = Neutral supply

1 = Switch live input from time clock, this triggers the time clock 1 terminal on the thermostat connections.

2 = Switch live input from time clock, this triggers the time clock 2 terminal on the thermostat connections.

Zones 1...8 (Inputs)

Zone inputs are clearly marked at the top of the circuit board;

L = Live supply to thermostat.

1 = Timed switch live to thermostat, triggered by time clock 1 input.

2 = Timed switch live to thermostat, triggered by time clock 2 input.

E = Earth

N = Neutral supply to thermostat.

S/L = 230v switch live from thermostat, this activates the corresponding zone output.

Zones 1...8 (Outputs)

Zones outputs are clearly marked

L = live out to actuator or valve

N = neutral to actuator or valve

There are two connections live (L) and neutral (N), both terminals marked L are the same and both terminals marked N are the same.

Each zone output corresponds to the thermostat wired in at the top of the pcb.

UFH Pump

Used for an underfloor heating manifold pump.

Connections are clearly marked

L = Live

E = Earth

N = Neutral

When an underfloor heating zone sends a call for heat to the UFH8ZW, the live & neutral output will supply 230v to the manifold pump.

It is recommended that this is fed through a high limit switch placed on the heating manifold, to protect against mechanical failure of the manifolds temperature control.

UFH Valve

Used for an underfloor heating manifold valve.

Connections are clearly marked;

Or = Orange

Gr = Grey

L = Live

E = Earth

N = Neutral

When an underfloor heating zone sends a call for heat to the UFH8ZW, the live & neutral output will supply 230v to the manifold valve.

The auxiliary wires of the valve, usually grey & orange, are wired to the Gr & Or terminals.

Fuses

Fuse 1. 5amp, 20mm anti-surge fuse, this fuse supplies power to all 230v outputs from the board it protects the zone, pump/valve outputs.








Ratings

Number of Heating Zones	8
Neon Indication	Y
DIN Rail Mounting	Y
Supply	230v AC 50Hz 1 Phase
Relay Load Max	3 Amp Resistive
Total Load Max	5 Amp Resistive
IP Protection	IP20
Installed Dimensions (L,H,D)	384 x 148 x 60mm
Weight	800g

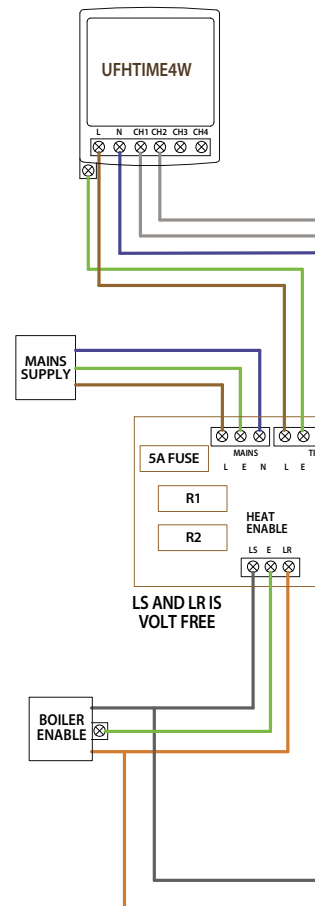


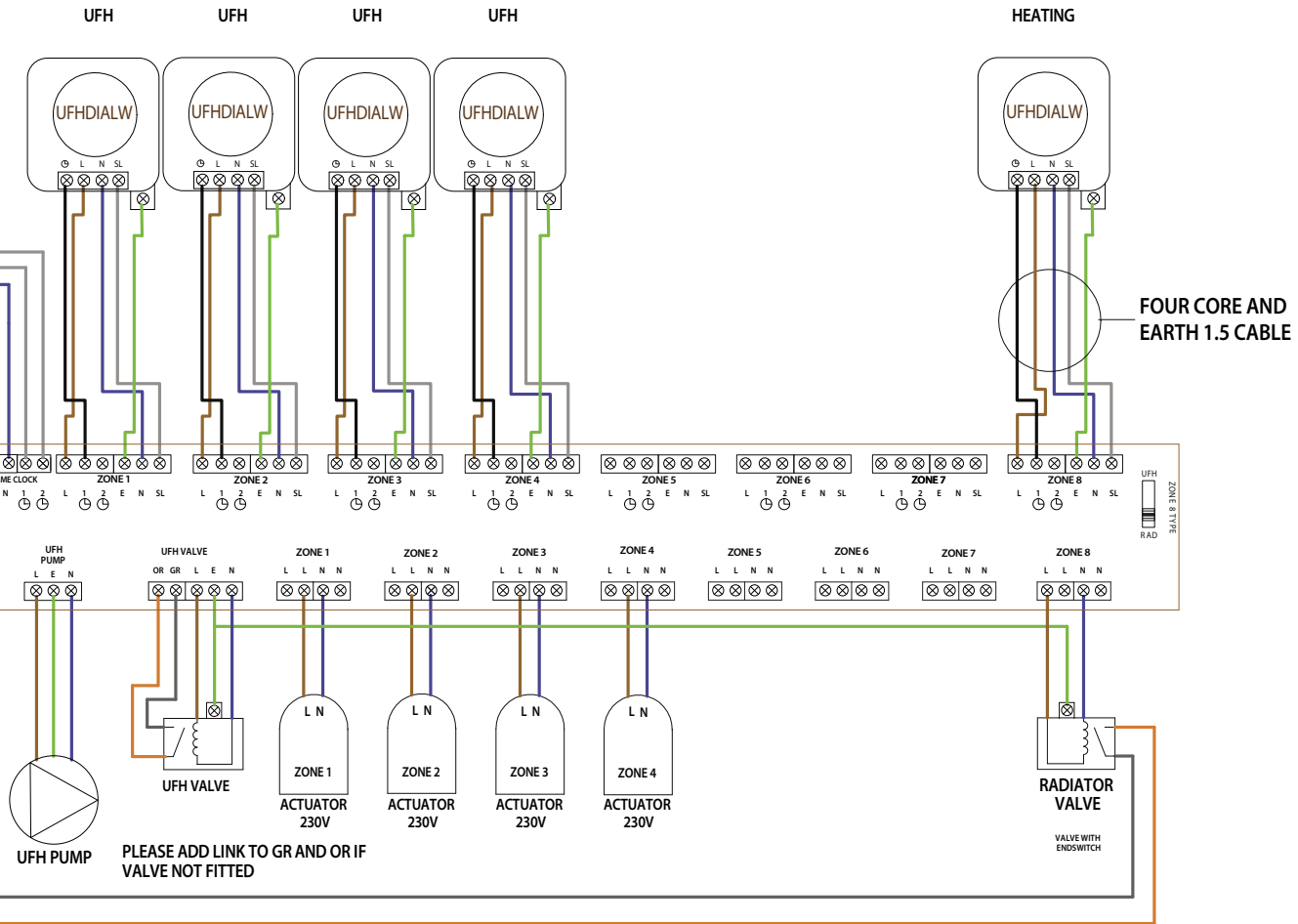
UFH8ZW – UFHDIALW & UFHTIME4W (4 Under-floor & 1 Radiator zone)

UFM UNDER FLOOR MANIFOLD

LIVE	
TIMER LIVE	
SWITCH LIVE	
NEUTRAL	
EARTH	
END SWITCH AND BOILER ENABLE	 

This equipment should be installed by an appropriately qualified/registered electrician.
Fully read the instructions for proper wiring before applying power.
The warranty does not cover damage from improper wiring or installation.







UFH8ZW – SmartStat (7 Under-floor & 1 Radiator zone)

UFM UNDER FLOOR MANIFOLD

LIVE 

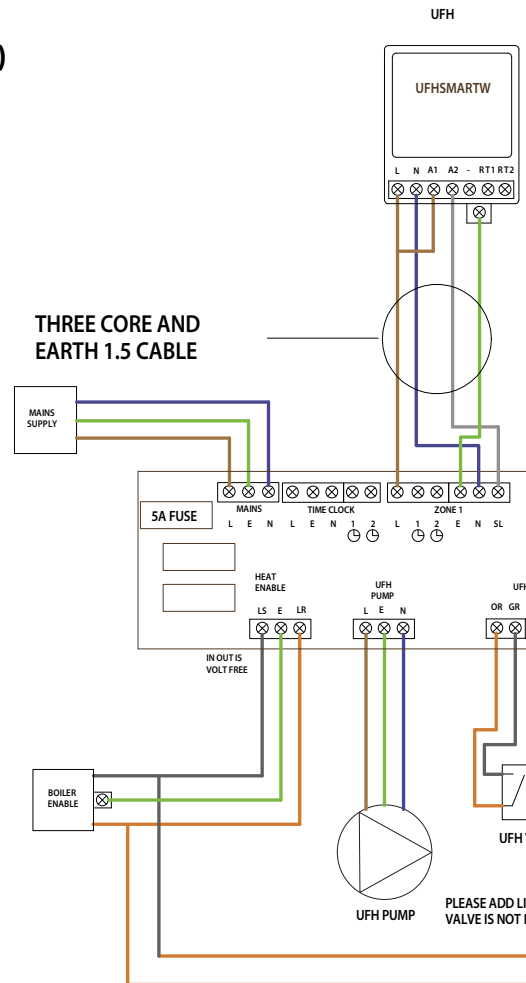
SWITCH LIVE 

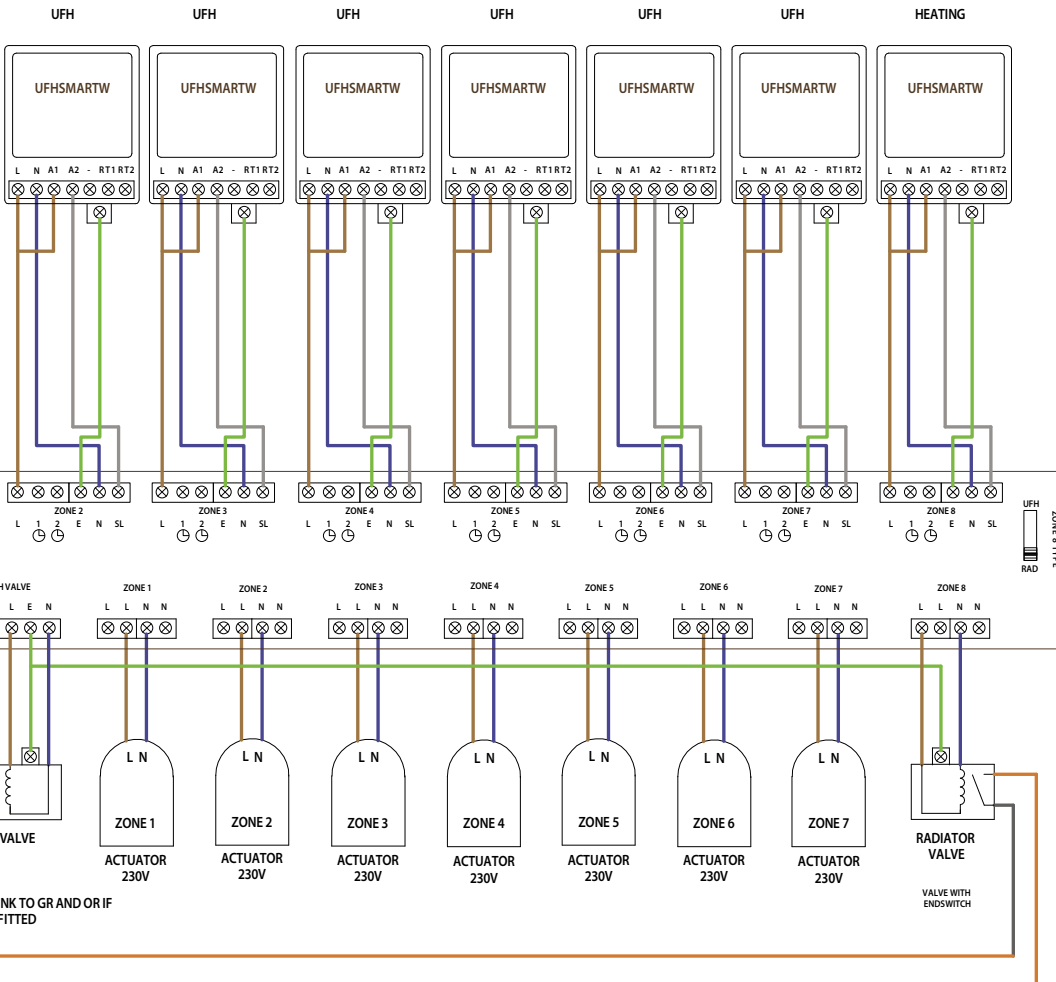
NEUTRAL 

EARTH 

END SWITCH AND
BOILER ENABLE 


This equipment should be installed by an appropriately qualified/registered electrician.
Fully read the instructions for proper wiring before applying power.
The warranty does not cover damage from improper wiring or installation.





Model: UFH8ZW



UFH8ZW – Polypipe 230v Thermostat Wiring

UFM UNDER FLOOR MANIFOLD

LIVE 

SWITCH LIVE 

NEUTRAL 

EARTH 

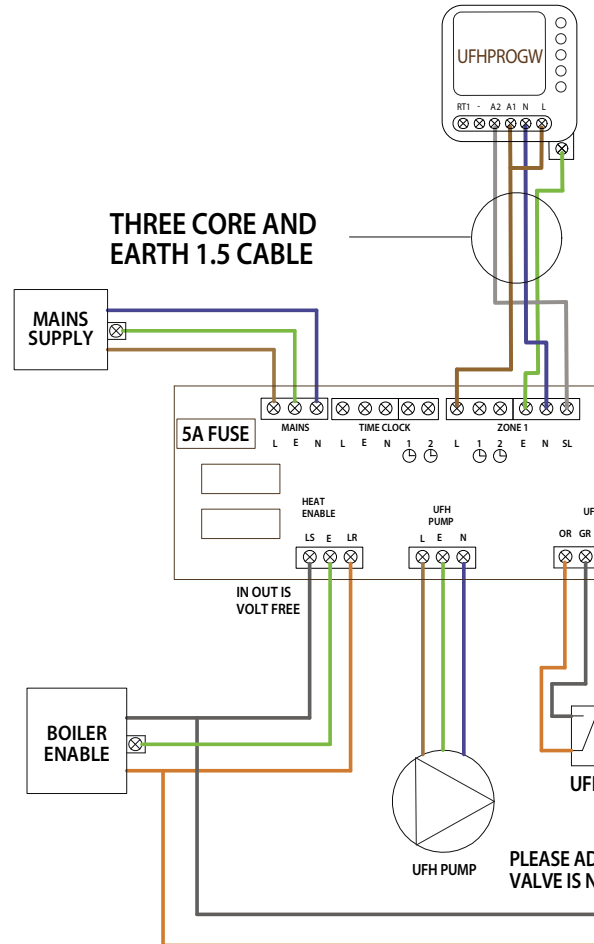
END SWITCH AND 

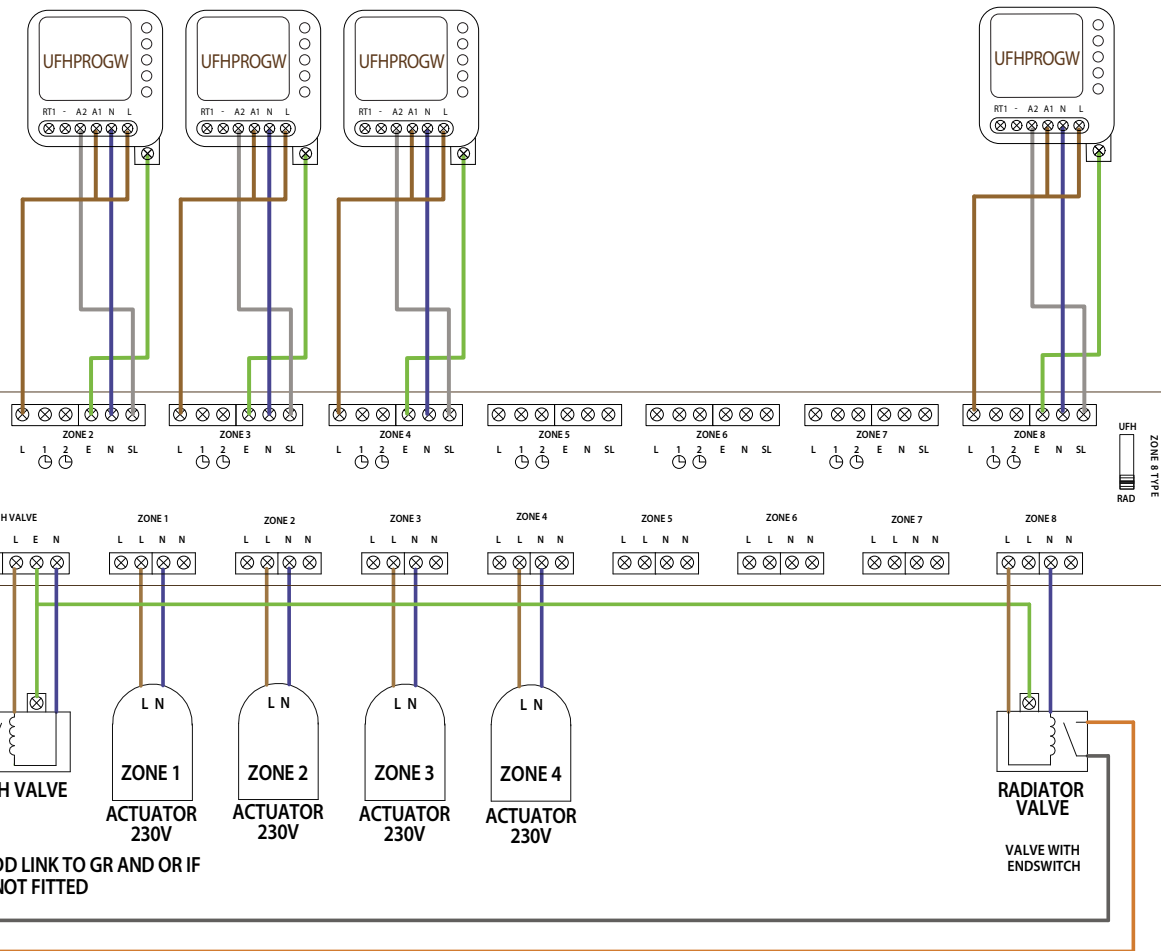
BOILER ENABLE 

This equipment should be installed by an appropriately qualified/registered electrician.

Fully read the instructions for proper wiring before applying power.

The warranty does not cover damage from improper wiring or installation.







UFH8ZW Title:.....

	Zone Type		Zone Title
	Under-Floor	Radiator	
Zone 1	<input type="text"/>	<input type="text"/>
Zone 2	<input type="text"/>	<input type="text"/>
Zone 3	<input type="text"/>	<input type="text"/>
Zone 4	<input type="text"/>	<input type="text"/>
Zone 5	<input type="text"/>	<input type="text"/>
Zone 6	<input type="text"/>	<input type="text"/>
Zone 7	<input type="text"/>	<input type="text"/>
Zone 8	<input type="text"/>	<input type="text"/>



Notes

A series of horizontal dotted lines for writing notes, spanning the width of the page.



Notes

A series of horizontal dotted lines spanning the width of the page, providing a template for handwritten notes.



Notes

A series of horizontal dotted lines spanning the width of the page, providing a template for handwritten notes.

Want More Information?

Call our telephone support team on:
01709 772200

Or view technical specifications directly on our website:
www.polypipeufh.com

Polypipe Building Products

Broomhouse Lane

Edlington

Doncaster

DN12 1ES